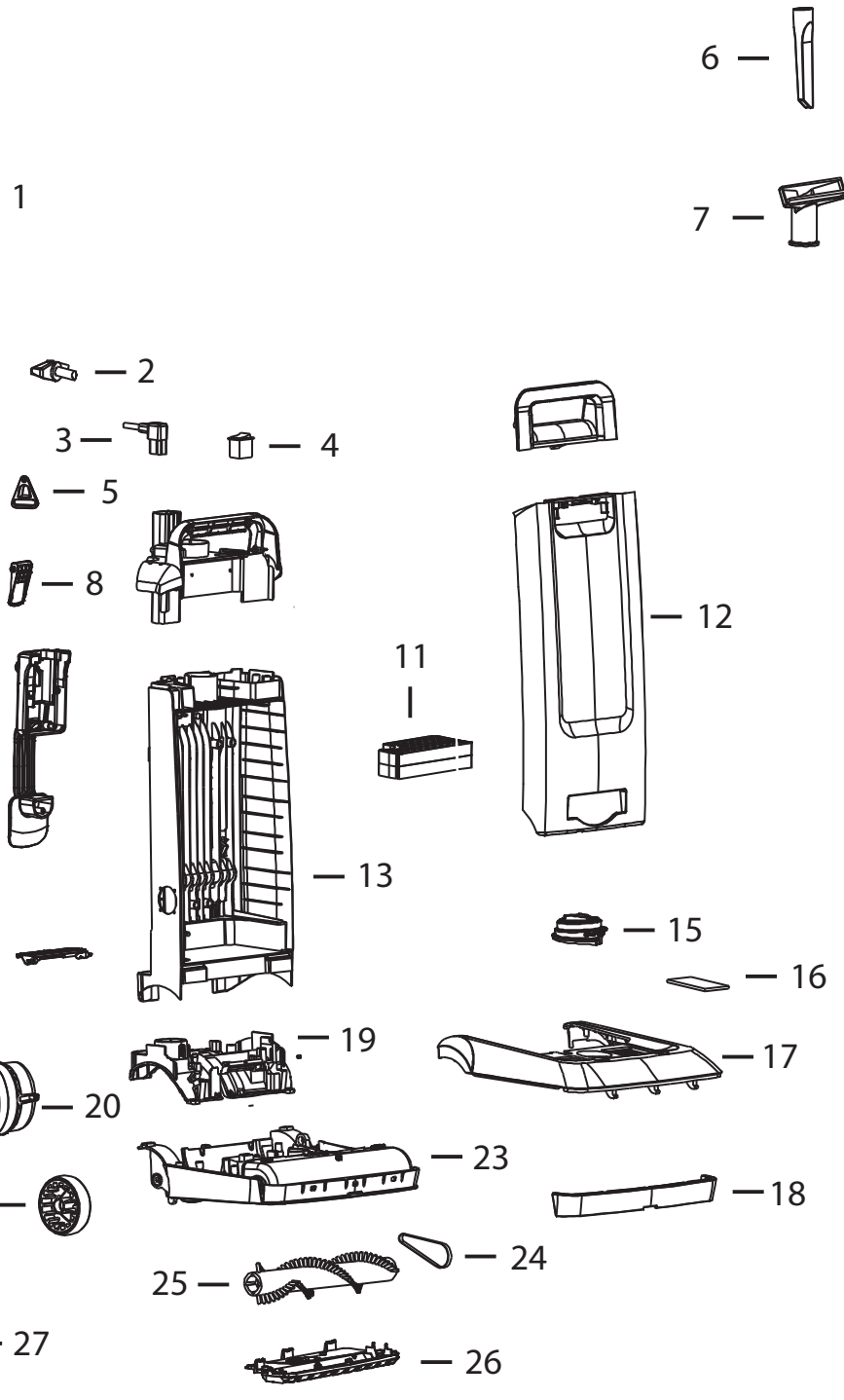
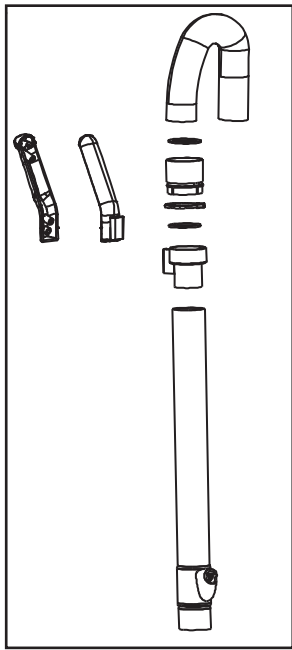
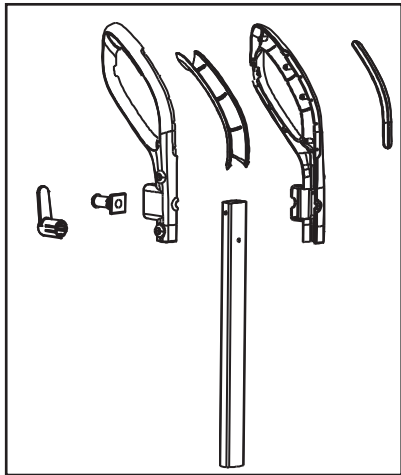




BG15

15K7



BISSELL Big Green Commercial BG15

Model 15K7 Hard Body Standard Upright



| KEY | PART NO | DESCRIPTION |
|---------------------------------|---------|--|
| 1 | 2037781 | Handle Assembly |
| 2 | 2037783 | Thumb Screw |
| 3 | 2037811 | Reception Inlet 3P |
| 4 | 2037821 | PowerSwitch (Green) |
| 5 | 2037784 | Cable Restrain Assembly |
| 6 | 2037817 | Crevice Tool |
| 7 | 2037816 | Upholstery Tool |
| 8 | 2037785 | Height Adjuster Handle (Yellow) |
| 9 | 2037797 | Wand Assembly (Black) |
| 10 | 2037787 | Back Handle w/ Grips |
| 11 | 2037799 | Filter Cassette Body (Black) |
| 12 | 2037798 | Front Door Assembly (Green) |
| 13 | 2037788 | Rear Body Single Motor |
| 14 | 2037820 | Locking Pedal |
| 15 | 2037790 | Height Adjustment Knob (Black) |
| 16 | 2037813 | Felt Air Outlet Cotton |
| 17 | 2037791 | Brush Cover Assembly (Green) |
| 18 | 2037803 | Bumper for Brush Unit (Grey) |
| 19 | 2037789 | Swivel Base Assembly |
| 20 | 2037792 | Motor Unit UPSM Assembly |
| 21 | 2037793 | Motor Cover Right |
| 22 | 2037795 | Rear Castor w/ Bearing and Shaft |
| 23 | 2037794 | Brush housing Assembly w/ Grey Bumper |
| 24 | 2037814 | Belt |
| 25 | 2037815 | Brush Roller Assembly with End Caps |
| 26 | 2037804 | Brush Housing Bottom Cover Assembly (Black) |
| 27 | 2037801 | Air Intake Right Support |
| 28 | 2037800 | Air Intake and Swivel UPSM Assembly |
| XX | 2037782 | Cable Cord USA (Yellow) |
| XX | 2037786 | Spring Plate for Height Adjuster |
| XX | 2037805 | Main PCB Board |
| XX | 2037806 | Motor SM 1000W |
| XX | 2037807 | Motor Gear 14X |
| XX | 2037808 | Clutch Gear 60X |
| XX | 2037812 | Paper Bag (10 pack) |
| XX | 2037818 | Belt Clutch and Motor Gear |
| XX | 2037796 | Felt Air Outlet Cotton (20 pcs) |
| XX | 2037802 | Wire Fixation Bracket |
| XX | 2037819 | Foot Assembly |
| BISSELL Business Ventures, Inc. | | Issued: September 2011 Revised: © 2011 BISSELL Homecare Inc. |